

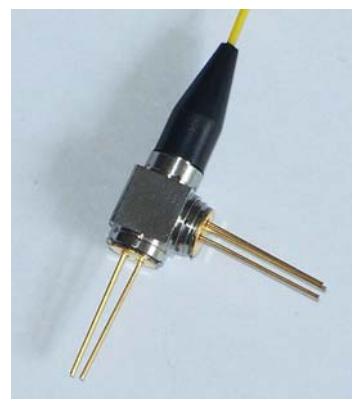
1310/850nm Dual Laser pigtail Device

Features:

- InGaAsP/InP MQW-FP & Vcsel laser
- 1310/850nm Dual laser
- Low current Threshold
- Inner rear-faced monitor diode
- Multi-model fiber pigtail package

Applications:

- Optical communication
- Instruments and Meters



Parameters:

Parameter	Symbol	Test Condition	Min	TYP	Max	Unit
Wavelength	λ_p	If=Ith+20mA	1290	1310	1330	nm
		If=6mA	830	850	860	nm
Spectrum Width	$\Delta\lambda$	1310nm		2	4	nm
		850nm			0.85	nm
Current Threshold	Ith	1310nm		6	15	mA
		850nm		2	3	mA
Forward voltage	Vf	If=Ith+20mA(1310nm)		1.1	1.5	v
		If=6mA(850nm)	1.6	1.8	2.2	v
Pigtail output	pf	If=Ith+20mA、1310nm	-5			dBm
		If=6mA、850nm	-7			dBm
PD dark current	Id	Vr=-5V(1310nm)			0.1	μ A
Monitor current	Im	If=Ith+20mA(1310nm)	100			μ A
		P=500uW		450		μ A

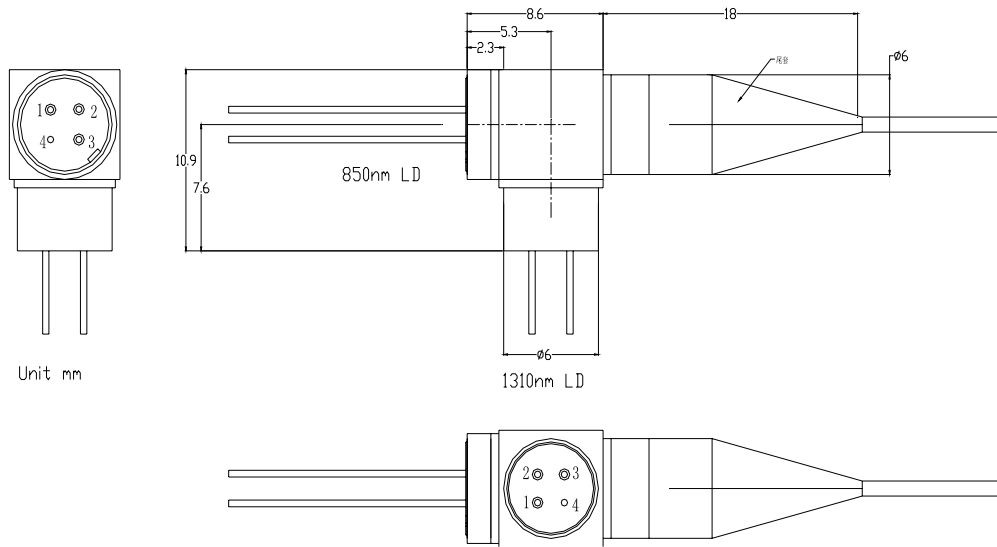
Absolute Maximum Ratings

Parameters	Condition	Parameters	Unit
Operating temperature		-10 \sim +85	$^{\circ}$ C
Storage temperature		-40 \sim +125	$^{\circ}$ C
Reverse Voltage Vr	CW	2.0	v

Pin Assignment

PN	LD Type A(1310)	LD Type C (1310)	Type A(850)	Type B(850)
1	LD Cathode	LD Cathode	Vcsel cathode	Vcsel Anode
2	PD Cathode	PD Anode	Vcsel anode/PD cathode	Vcsel Cathode/PD Anode
3	PD anode	PD Cathode/LD Anode	PD anode	PD Cathode
4	LD anode & Case	GND	Case	Case

Package Drawing



Ordering Information:

Dual Laser pigtail
DL-ABCDEFGH

A(LD)	B(LD wave)	C(Power)	D (Pack)	E(Isolation)	F-mode	G(P type)	H(fiber)
F-FP	1-850/1310nm	1\>-5dBm	1-FC/PC	1-Without I	1-BD	A	S single
D-DFB	2-1310/1550nm	2\0~1.5dBm	2-SC/PC	2-Witht I	2-WDM	C	M5-50um
E-LED	3-1310/1490nm	3\1.5~3dBm	3-ST/PC			E	M6-62.5um
	4-1490/1550nm	4\>3dBm	4-LC/PC				MT-400um
			5-FC/APC				
			6-SC/APC				
			7-LC/APC				

Note: laser pin position and fiber length can be designed by customer's requirement, general one is 65cm.